

Downy Woodpecker

The smallest woodpecker in North America, common and widespread, although it avoids the arid southwest. This is the most familiar family member in the east, readily entering towns and city parks and visiting backyard bird feeders. Its small size makes it versatile, and it may forage on weed stalks as well as in large trees. In winter, it often joins roving mixed flocks of chickadees, nuthatches, and other birds in the woods.

Habitat: Forests, woodlots, willows, river groves, orchards, shade trees. Found in various habitats, from wilderness areas to second-growth woods to suburban yards, but generally favors deciduous trees. The far north and mountains (areas dominated by conifers) are restricted to groves of deciduous trees such as aspens or willows.

Nesting: Males and females have separate feeding areas in fall and early winter, with pairs forming in late winter. Male and female take turns drumming loudly on dead limbs on their separate territories; male gradually approaches. The nest site is a cavity (excavated by both sexes) in a dead limb or dead tree, usually 12 to 30 feet above the ground, sometimes 5 to 60 feet. Cavity entrance is often surrounded by fungus or lichen, helping to camouflage the site.

Nest Box Placement: It's best to position the nest box on a tree or pole 6 to 12 feet high, preferably a pole with a squirrel and predator baffle. Face the entrance south or east in a shaded open wooded area in a town or a rural setting, and make sure there is an open flyway to and from the nest box.

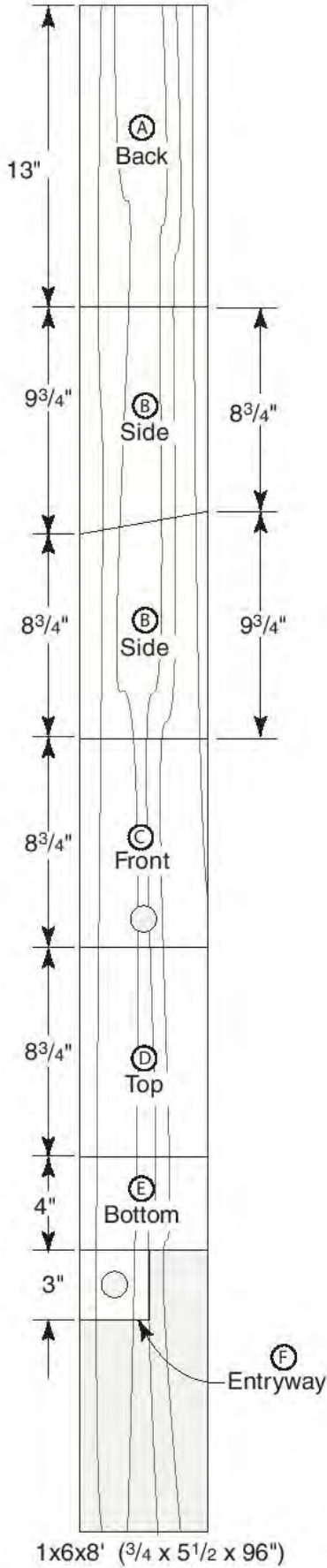
For more about North American birds and backyard birding activities:

<https://www.audubon.org/get-outside/activities>

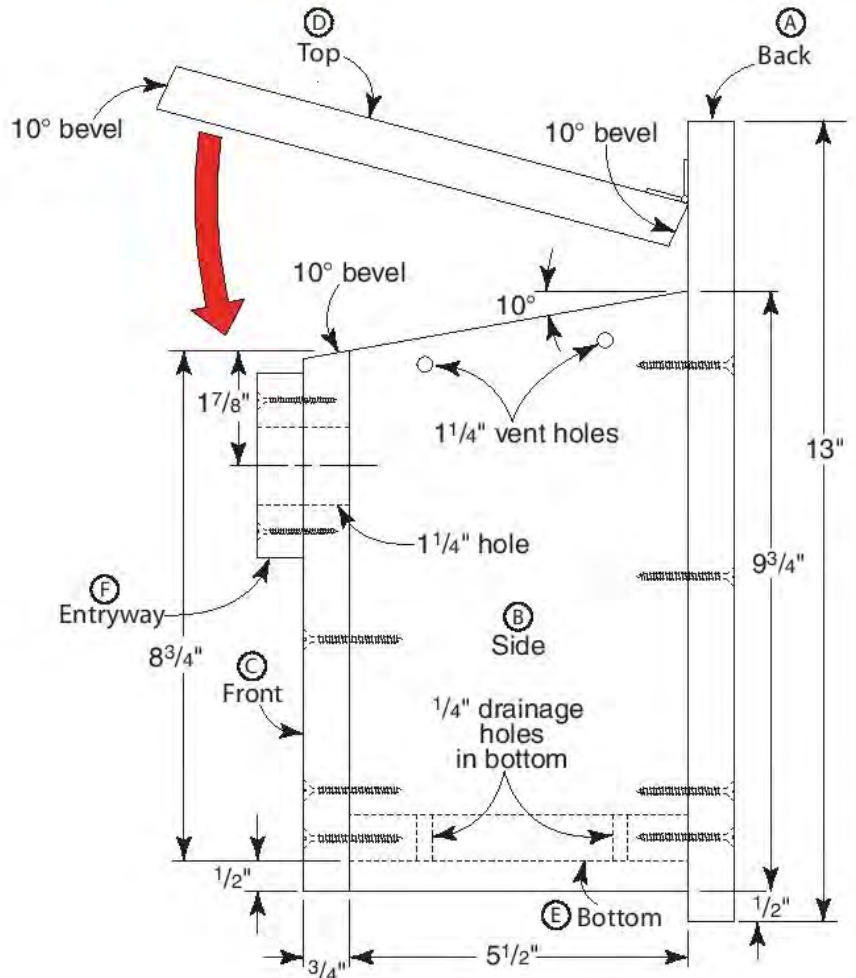


DOWNY WOODPECKER NESTING BOX PLAN

Project Plan: Marlen Kemmet
 Illustrations: Roxanne LeMoine

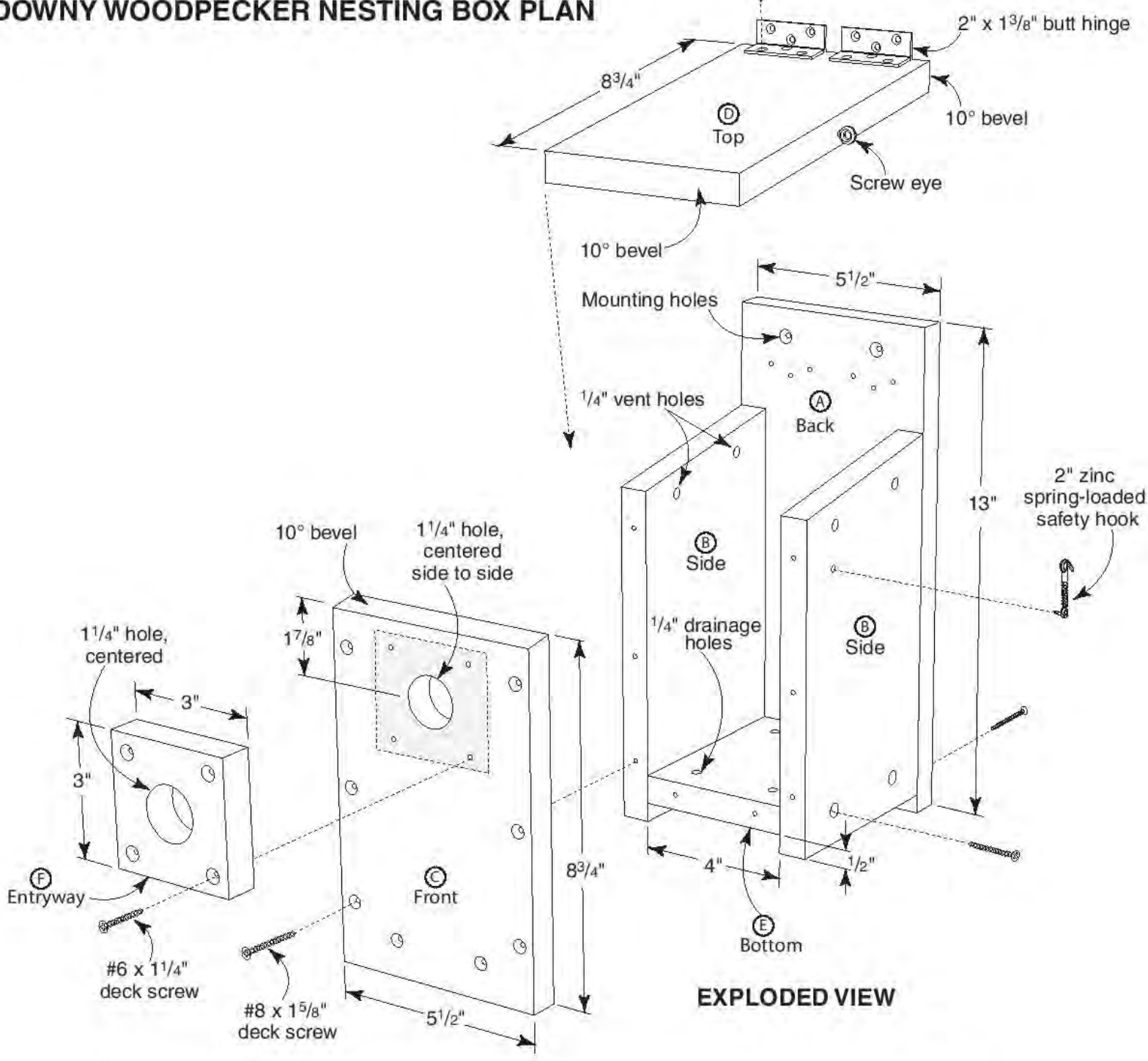


CUTTING DIAGRAM



SIDE VIEW

DOWNY WOODPECKER NESTING BOX PLAN



MATERIALS LIST FOR DOWNY WOODPRCKER NESTING BOX						
Parts	Thickness	Width	Length	Material	Pieces	
A	back	3/4"	5 1/2"	13"	C	1
B	sides	3/4"	5 1/2"	9 3/4"	C	2
C	front	3/4"	5 1/2"	8 3/4"	C	1
D	top	3/4"	5 1/2"	8 3/4"	C	1
E	bottom	3/4"	5 1/2"	4"	C	1
F	entryway	3/4"	3"	3"	C	1

Choice of cedar, redwood, cypress, or painted white pine