

Hopper-Style Bird Feeder

Many species of birds prefer hopper bird feeders. Relatively simple design and functioning, a hopper feeder can be the right choice if you are starting to feed birds or an excellent addition to your bird feeding station. This type of feeder holds birdseed and dispenses it into a tray at the bottom of the hopper. As birds consume the seed, the hopper replenishes the bottom tray simply by gravity. A hopper bird feeder generally has a roof that gives the feeder the house's appearance, hence the alternative name house bird feeder.

Helpful Tips

- Bird feeders are best hung in a place where your visiting birds feel safe from predators.
 - Birds also prefer to have a clear view over their feeding area to see any predators.
- Hang your bird feeders at eye level or a little above. Most important: Avoid open and noisy areas.
- Do not hang feeders too close to any place where squirrels can jump on them or too low they are within a cat's reach.
- A sheltered southeastern exposure is best for hanging a bird feeder since birds like to feed in the sun and out of the wind.

For more about North American birds and backyard birding activities:

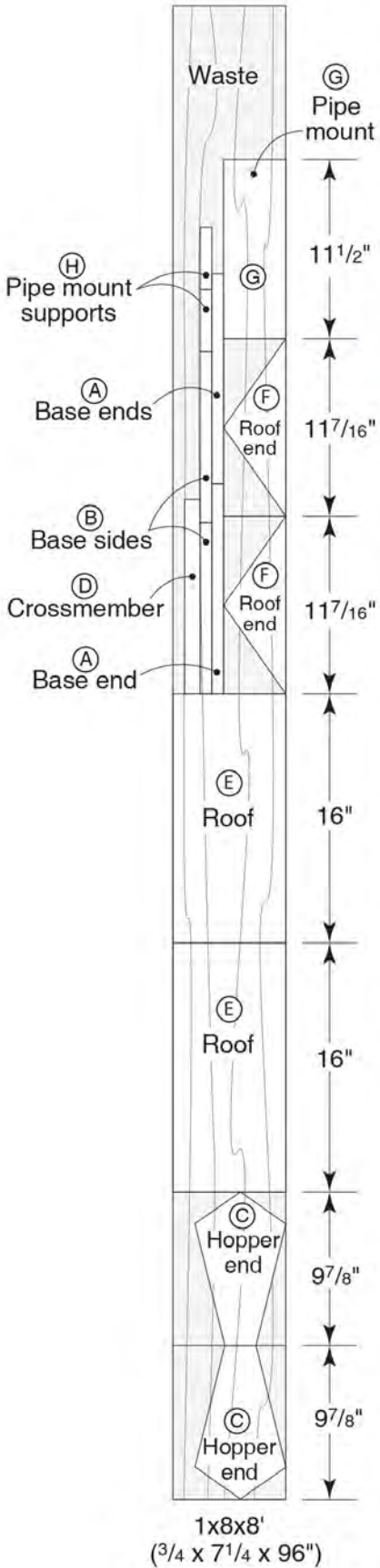
<https://www.audubon.org/get-outside/activities>



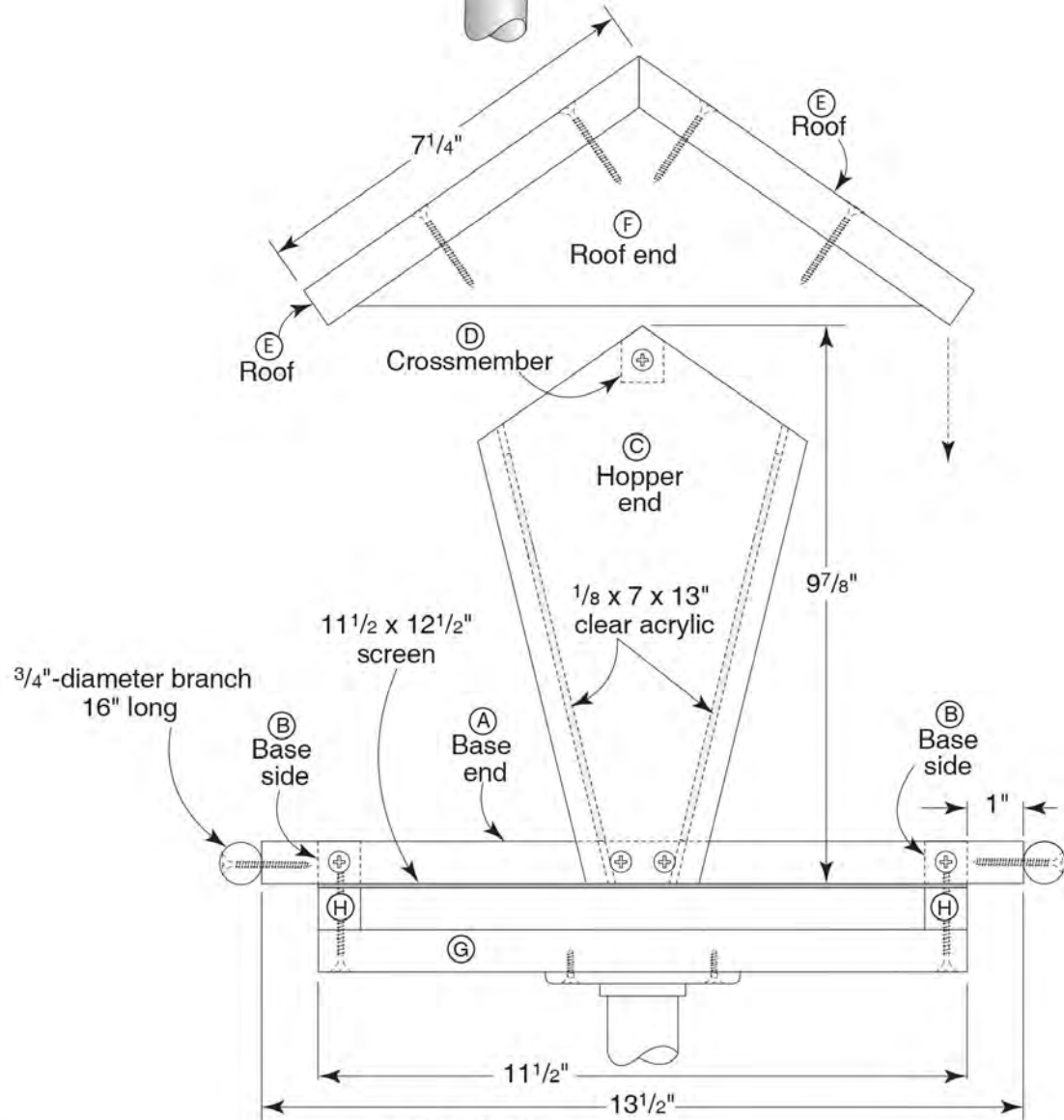
Top - left to right: chickadee, woodpecker; Bottom - left to right: cardinal, goldfinch

HOPPER-STYLE BIRD FEEDER PLAN

Project Designer: Pat Schlarbaum
 Illustrations: Roxanne LeMoine
 Project Editor: Marlen Kemmet, marlenkemmet.com



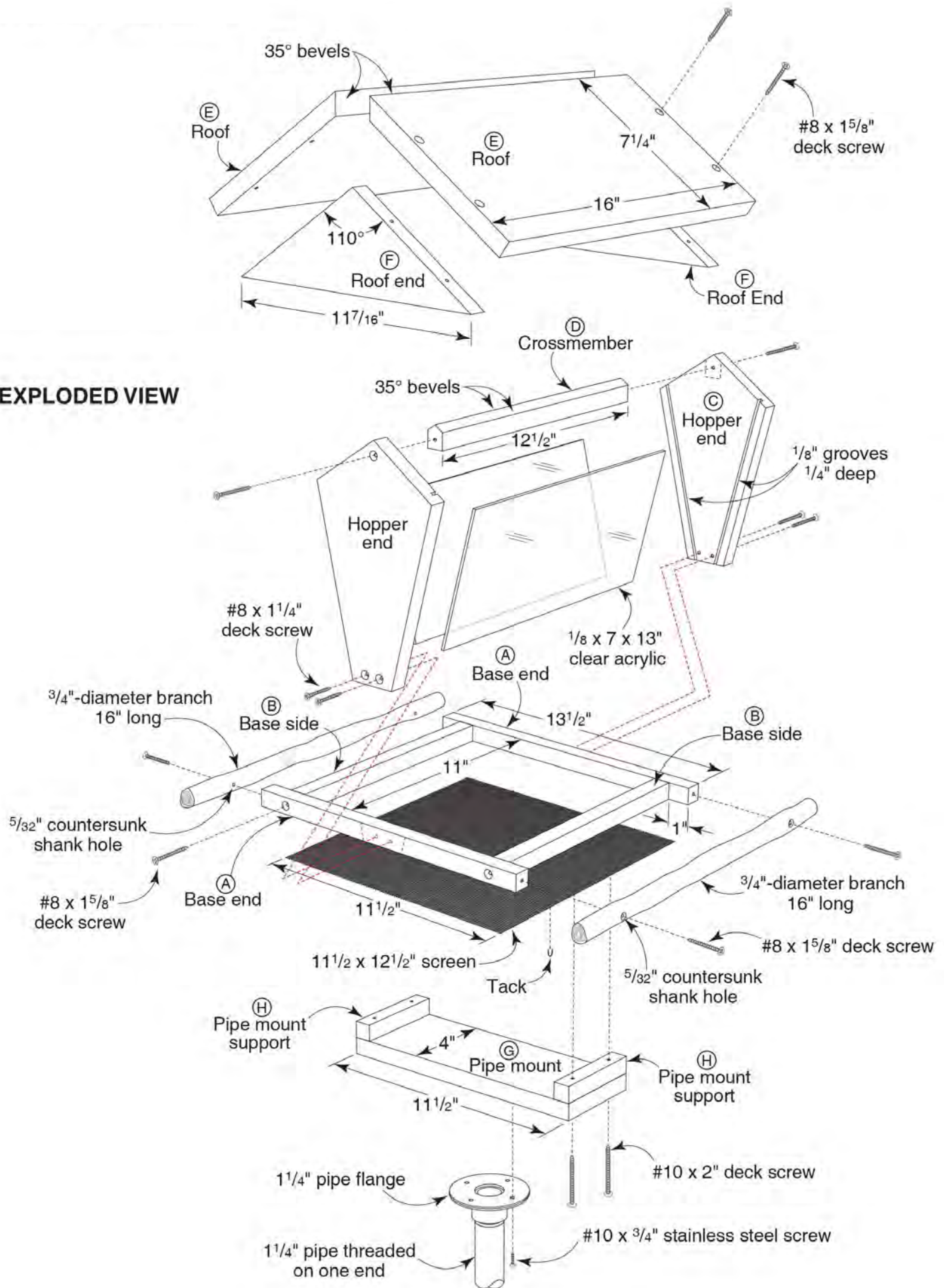
CUTTING DIAGRAM



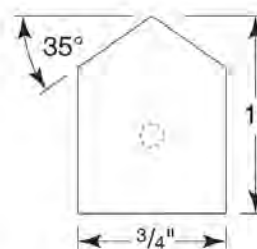
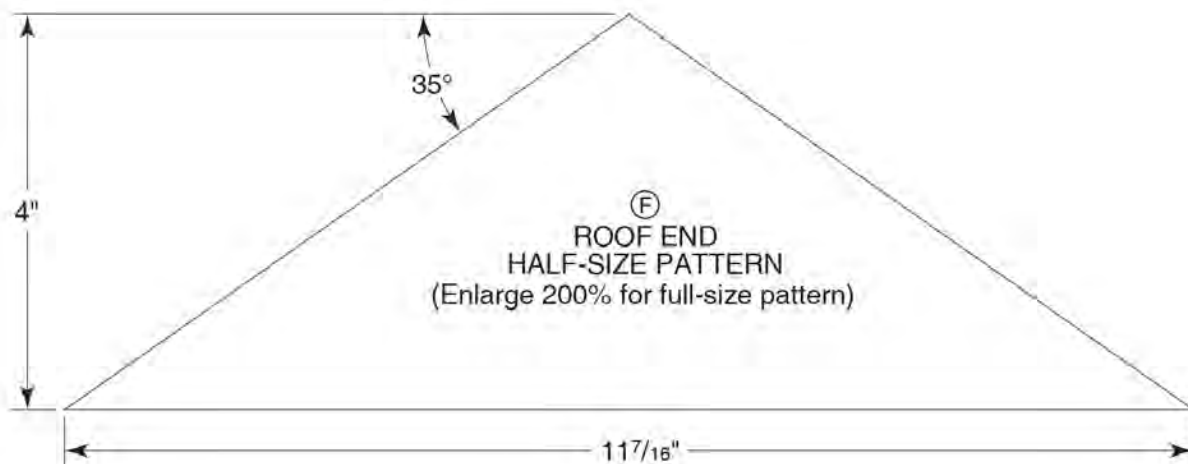
END VIEW

HOPPER-STYLE BIRD FEEDER PLAN

EXPLODED VIEW



HOPPER-STYLE BIRD FEEDER PLAN



Ⓖ
 CROSSMEMBER END VIEW
 FULL-SIZE PATTERN

MATERIALS LIST FOR HOPPER-STYLE BIRD FEEDER						
	Parts	Thickness	Width	Length	Material	Pieces
A	base ends	3/4"	3/4"	13 1/2"	C	2
B	base sides	3/4"	3/4"	11"	C	2
C	hopper ends	3/4"	5 13/16"	9 7/8"	C	2
D	crossmember	3/4"	1"	12 1/2"	C	1
E	roof panels	3/4"	7 1/4"	16"	C	2
F	roof ends	3/4"	4"	11 7/16"	C	2
G	pipe mount	3/4"	4"	11 1/2"	C	1
H	pipe mount supports	3/4"	3/4"	4"	C	2
Choice of cedar, redwood, cypress, or painted white pine						

HOPPER-STYLE BIRD FEEDER PLAN

