

# American Robin

The robin is one of North America's most familiar birds, often seen running or hopping on lawns in an upright stance. The robin's throaty caroling is among the earliest bird songs heard at dawn in spring and summer.

**Habitat:** Cities, towns, lawns, farmland, forests. Over most of the continent, summers wherever there are trees for nest sites and mud for nest material. In the arid southwest, summers mainly in coniferous forests in the mountains, rarely in well-watered lowland suburbs. In winter, flocks gather in wooded areas where trees or shrubs have good crops of berries.

**Nesting:** Males arrive before females on nesting grounds and defend territories by singing, sometimes by fighting. In the early stages of courtship, one or more males may actively pursue a female. The female does most of the nest-building with some help from the male. Nest is a cup of grasses, twigs, and debris, worked into a solid foundation of mud, lined with fine grasses and plant fibers.

**Nest Shelf Placement:** Unlike other familiar songbirds that occupy houses, robins prefer an open view out of a nesting shelf. Site on a horizontal branch of a tree or shrub, usually 5 to 25 feet above the ground. Install robin nest boxes on the sides of buildings, under eaves, or on posts.

## Helpful Tip

Robins prefer to nest near humans as they know other predators tend not to get too close to human-occupied structures.

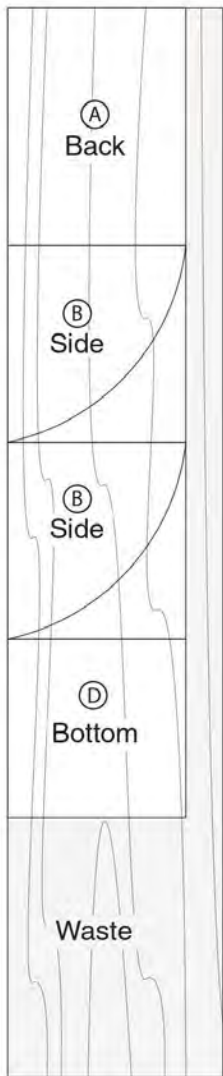
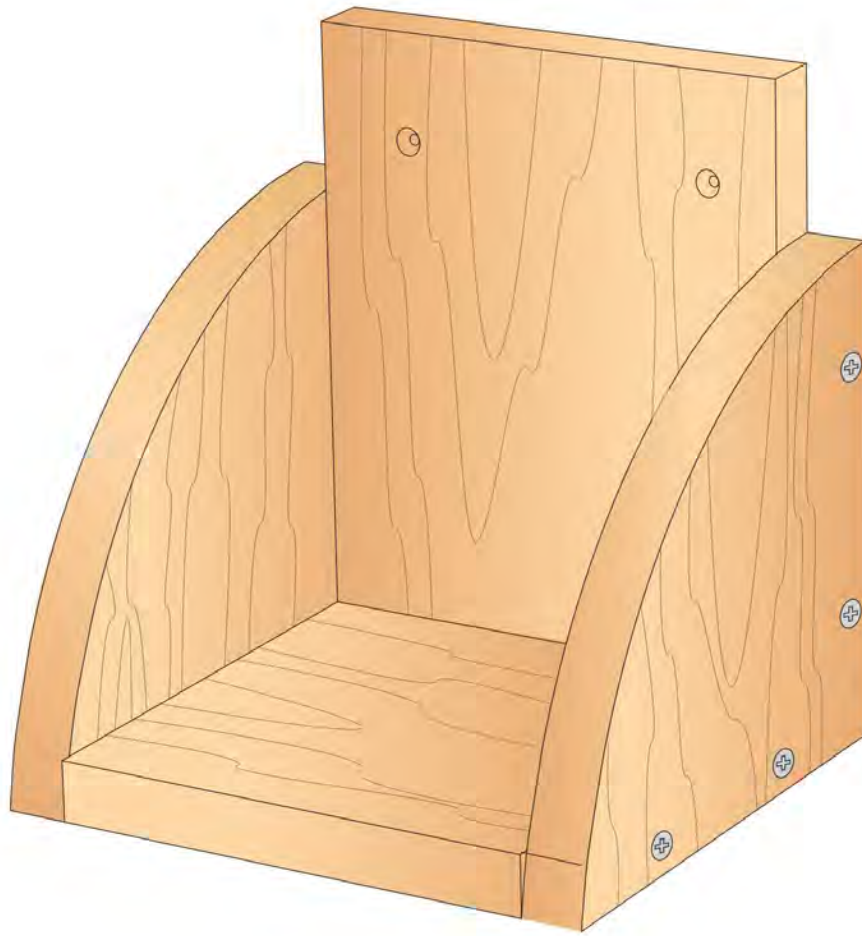
For more about North American birds and backyard birding activities:

<https://www.audubon.org/get-outside/activities>

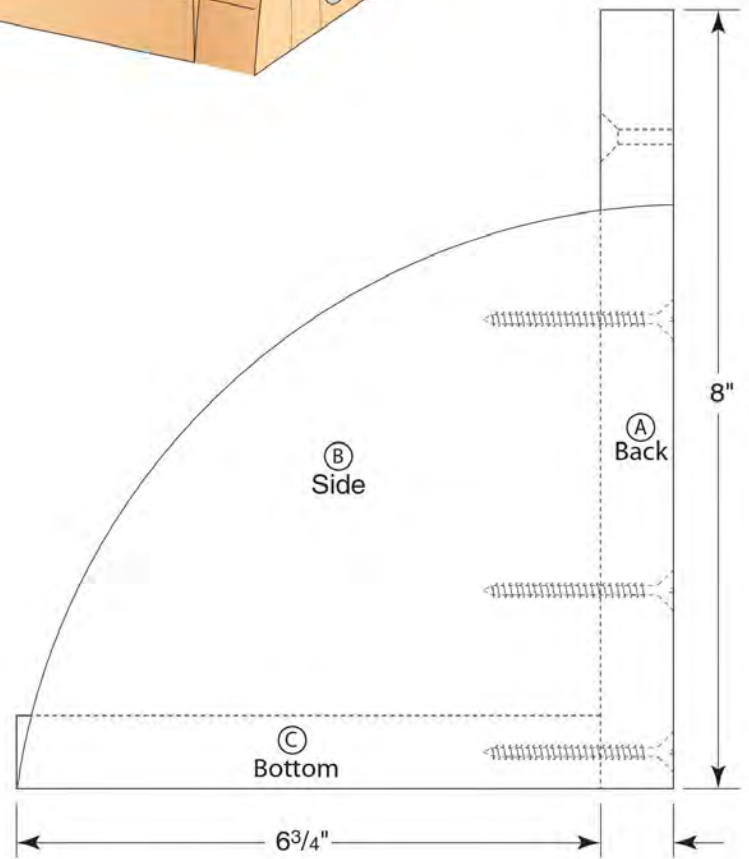


# NESTING SHELF FOR ROBINS AND PHOEBES

Project Plan: Marlen Kemmet  
Illustrations: Roxanne LeMoine



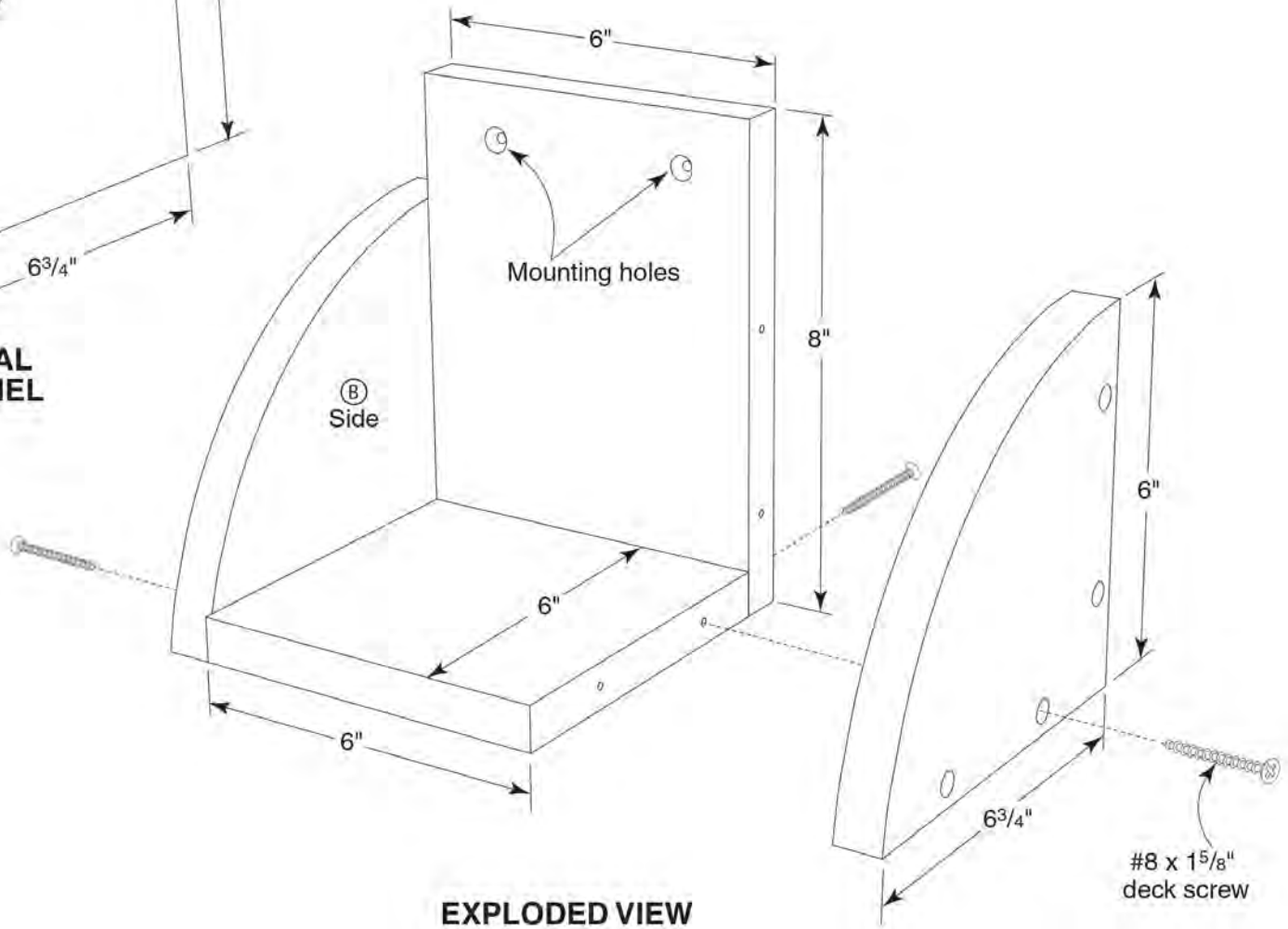
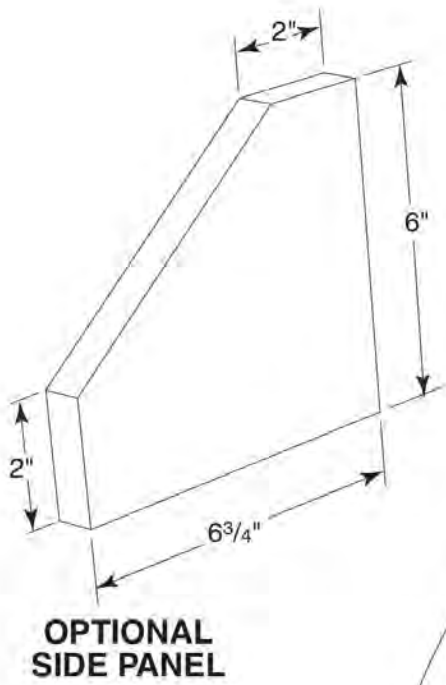
1x8x3'  
(3/4 x 7 1/4 x 36")



**SIDE VIEW**

## CUTTING DIAGRAM

# NESTING SHELF FOR ROBINS AND PHOEBES



## MATERIALS LIST FOR NESTING SHELF

Parts	Thickness	Width	Length	Material	Pieces
A	3/4"	6"	8"	C	1
B	3/4"	6"	6 <sup>3</sup> / <sub>4</sub> "	C	2
C	3/4"	6"	6"	C	1

Choice of cedar, redwood, cypress, or painted white pine